



**Radio**

**Instruction manual**

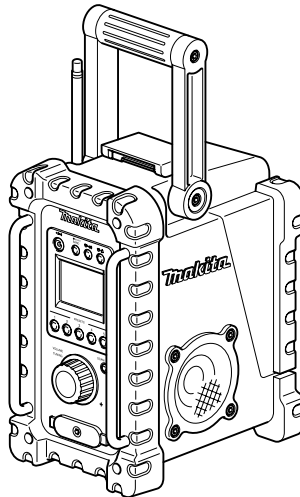
**Radio**

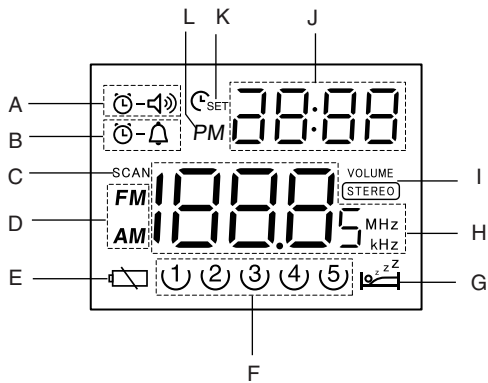
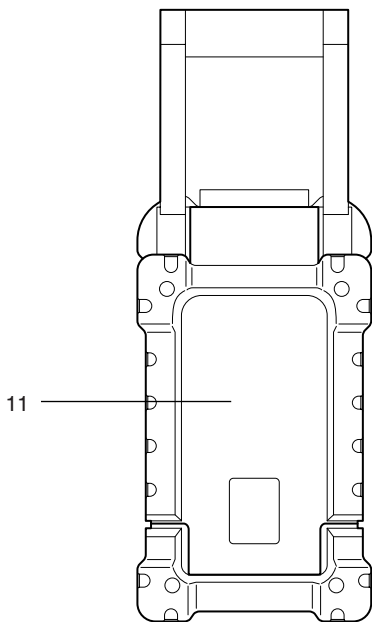
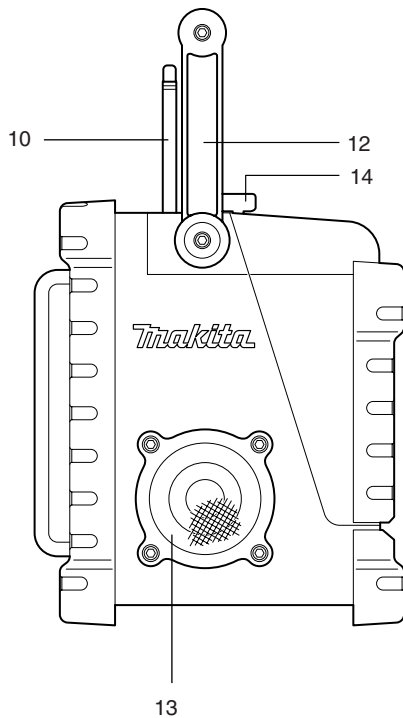
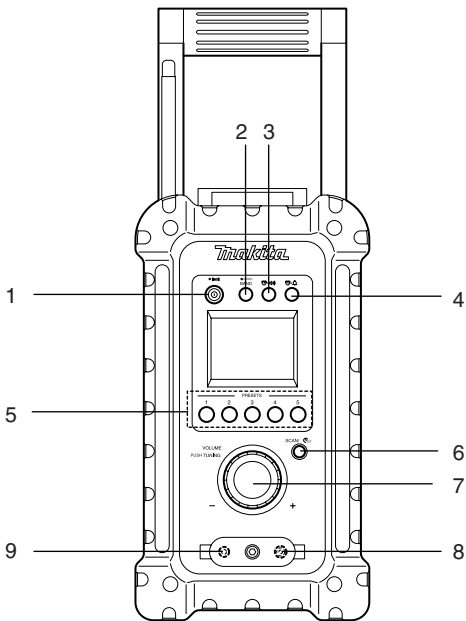
**Manuel d'instructions**

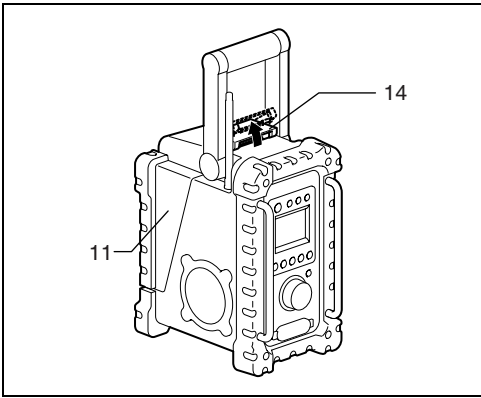
**Radio**

**Manual de instrucciones**

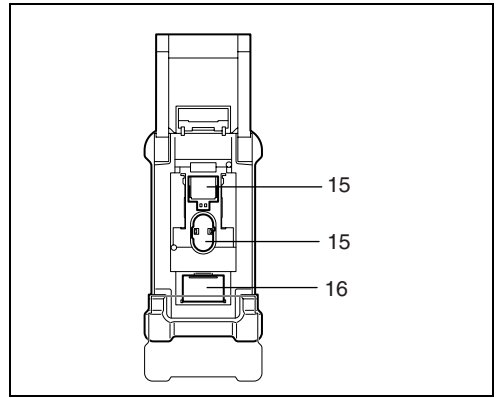
## **BMR100**



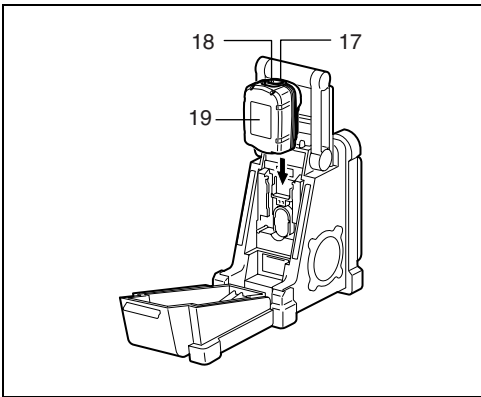




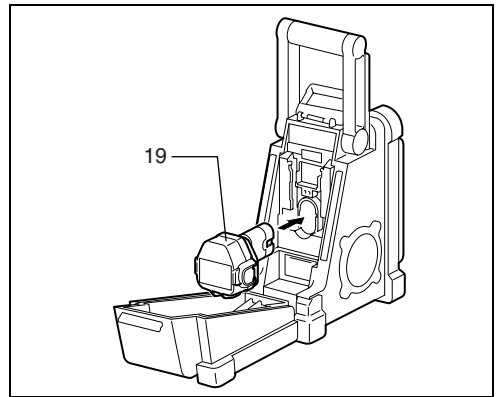
1



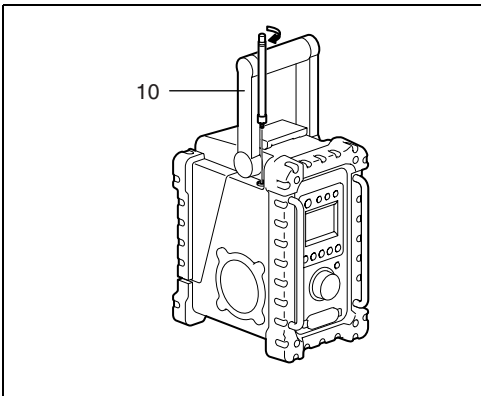
2



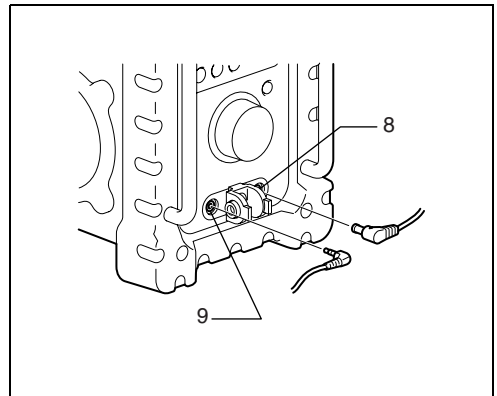
3



4



5



6

## Symbols

The following show the symbols used for the equipment. Be sure that you understand their meaning before use.

## Symboles

Nous donnons ci-dessous les symboles utilisés pour l'appareil. Assurez-vous que vous en avez bien compris la signification avant d'utiliser l'outil.

## Símbolos

A continuación se muestran los símbolos utilizados para el equipo. Asegúrese de que entienda su significado antes de usarla.



- Read instruction manual.
- Lire le mode d'emploi.
- Lea el manual de instrucciones.



Ni-Cd



Ni-MH



Li-ion

- Always recycle batteries
- Toujours mettre les batteries au recyclage
- Recicle siempre las baterías

## ENGLISH

# IMPORTANT SAFETY INSTRUCTIONS

### WARNING:

When using electric tools, basic safety precautions should always be followed to reduce the risk of fire, electric shock, and personal injury, including the following:

1. Read this instruction manual and the charger instruction manual carefully before use.
2. Clean only with dry cloth.
3. Do not block any ventilation opening. Install in accordance with the manufacturer's instruction.
4. Do not install near any heat sources such as radiators, heat registers, stoves, or other apparatus (including amplifiers) that produce heat.
5. Only use attachments/accessories specified by the manufacturer.
6. Unplug this apparatus during lightning storms or when unused for long periods of time.
7. A battery operated radio with integral batteries or a separate battery pack must be recharged only with the specified charger for the battery. A charger that may be suitable for one type of battery may create a risk of fire when used with another battery.
8. Use battery operated radio only with specifically designated battery packs. Use of any other batteries may create a risk of fire.
9. When battery pack is not in use, keep it away from other metal objects like: paper clips, coins, keys, nails, screws, or other small metal objects that can make a connection from one terminal to another. Shorting the battery terminals together may cause sparks, burns, or a fire.
10. Avoid body contact with grounded surfaces such as pipes, radiators, ranges and refrigerators. There is an increased risk of electric shock if your body is grounded.

## SAVE THESE INSTRUCTIONS.

### Features:

- AM/FM-stereo PLL Synthesized
- Large LCD display with illumination
- Manual/Presets/Scan tuning
- Rotary tuning and volume control
- 5 preset stations each band
- Time and 2 alarm timers (radio and HWS buzzer) with Snooze
- Adjustable sleep (auto shut off) timer
- Stereo speaker for rich sound performance
- Ultra rugged design
- Water resistant to JIS 4
- Powered by both Makita battery pack and supplied power adaptor

## Explanation of general view

### Controls:

1. Power and Sleep timer
2. Band/Tuning step selection and Mono button
3. Radio alarm set
4. Buzzer alarm set
5. Preset stations
6. Scan tuning and Time set
7. Volume and Tuning controls
8. DC IN socket
9. Headphone socket
10. Soft bended rod antenna
11. Battery compartment (including main battery pack and back up batteries)
12. Handle
13. Speaker
14. Battery compartment locker
15. Main battery compartment
16. Back up battery compartment
17. Red part
18. Button
19. Battery cartridge

### LCD Display:

- A. Radio alarm
- B. HWS buzzer alarm
- C. Scan tuning
- D. Band Indicator
- E. Low battery indicator
- F. Preset stations
- G. Sleep and Snooze status
- H. Frequency
- I. Stereo symbol and Volume
- J. Clock
- K. Time set
- L. PM for clock

## Battery Installation

### Note:

Keeping back up batteries inside the compartment prevent stored data in preset memories from being lost.

1. Pull out the battery compartment locker to release battery compartment. There are main battery pack compartment and back up battery compartment. (Fig.1 & 2)
2. Remove back up battery compartment cover and insert 2 fresh UM-3 (AA sizes). Make sure the batteries are with correct polarity as shown inside the compartment. Replace the battery cover.
3. After back up batteries are inserted, insert the main battery pack to power radio. The suitable battery packs for this radio listed as below.

### Cluster Battery:

9.6V: 9135 | 9134 | 9122 | PA09 | 9120

12V: 1235 | 1234 | 1222 | PA12 | 1220

14.4V: 1435 | 1434 | 1422 | PA14 | 1420

18V: 1835 | 1834 | 1822 | PA18

### Slide Battery:

9.6V: BH9033 | BH9033A | BH9020 | BH9020A

12V: BH1233 | BH1233C | BH1220C

14.4V: BH1433 | BH1420 | BL1430

18V: BL1830

24V: BH2433 | BH2420

The following tables indicate the operating time on a single charge.


Battery Capacity	Battery Cartridge*Voltage					Operating time* (At Max. Volume)
	9.6V	12V	14.4V	18V	24V	
1.3 Ah	PA09 9120	PA12 1220	PA14 1420	PA18	-	Approx. 7 hour
2.0 Ah	9122 BH9020 BH9020A	1222 BH1220C	1422 BH1420	1822	BH2420	Approx. 11 hour
2.6 Ah	9134	1234	1434	1834	-	Approx. 13 hour
3.0 Ah	9135	1235	1435 BL1430	1835 BL1830	-	Approx. 16 hour
3.3 Ah	BH9033 BH9033A	BH1233 BH1233C	BH1433	-	BH2433	Approx. 17 hour

\* Operating time may differ by the type of battery, charging or operating conditions.

## 3-1. Installing or removing Slide battery cartridge (Fig. 3)


- To insert the battery cartridge, align the tongue on the battery cartridge with the groove in the housing and slip it into place. Always insert it all the way until it locks in place with a little click.
- Do not use force when inserting the battery cartridge. If the cartridge does not slide in easily, it is not being inserted correctly.
- To remove the battery cartridge, withdraw it from the tool while sliding the button on the front of the cartridge or pressing the buttons on both sides of the cartridge.

## 3-2. Installing or removing Cluster battery cartridge (Fig.4)

- To insert the battery cartridge, align the tongue on the battery cartridge with the groove in the housing and slip it into place.
- Do not use force when inserting the battery cartridge. If the cartridge does not slide in easily, it is not being inserted correctly.
- To remove the battery cartridge, withdraw it from the Job site radio.
- 4. Replace battery compartment locker.
- 5. Reduced power, distortion and a “stuttering sound” or low battery sign  that appears on the display are all the signs that the main battery pack needs to replace.

### Note:

The battery pack can't be charged via the supplied AC power adaptor.

6. When low battery sign  appears and an “E” keeps on flashing is the time to replace the back up batteries.

## Installing the Soft bended rod antenna (Fig.5)

Install the Soft bended rod antenna as show in the figure.

## Using Supplied AC power adaptor (Fig.6)

Remove the rubber protector and insert the adaptor plug into the DC socket on the front side of the radio. Plug the adaptor into a standard mains socket outlet. Whenever the adaptor is used, the battery pack are automatically disconnected. The AC adaptor should be disconnected from the main supply when not in use.

## Setting the clock

1. Clock can be set either when the radio is power on or off.
2. Display will show “-: -” when the back up batteries are installed.
3. Long press the time set button  $C_{SET}$  for more than 2 seconds, display will flash time set symbol  $C_{SET}$  and also the hour digit, followed by a beep.
4. Rotate Tuning control to set the required hour.
5. Press  $\odot$  button to confirm hour setting, the minute digit will flash.
6. Rotate Tuning control to set the required minute.
7. Press the  $\odot$  button again to complete clock setting.

## Operating the radio

This radio equips with three tuning methods – Scan tuning, Manual tuning and Memory presets recall.

### Scan Tuning

1. Press the Power button to turn on the radio.

2. Select the required waveband by pressing the Band button. Make sure the rubber bended rod antenna has been well placed for best FM reception. For AM (MW) band, rotate the radio to get best signal. Try to avoid to operate the radio next to computer screen and other equipment which will cause interference to radio.
3. Press and release Scan button (long press Scan button more than 2 seconds will activate time setting), LCD display will flash Scan symbol and the radio will up search and stop automatically when it finds a radio station. Press the Scan button again to pick up the found station.

**Note:**

A stereo symbol will appear on the display, if the station found is a stereo station.

**Note:**

The radio will continue to search next available stations if you do not press Scan button again when it finds a radio station.

4. Rotate the Volume control to get required sound level. LCD display will show sound level changes.

**Note:**

During operating volume control, you can press in Tuning/Volume control knob to change volume control to tuning control status.

5. To turn off the radio, press the Power button. Display will show OFF.

## Manual Tuning

1. Press the Power button to turn on the radio.
2. Select the required waveband by pressing the Band button. Adjust the antenna as described above.
3. A single rotary to the Tuning control will change the frequency in the following increment:  
FM: 50 or 100 kHz  
AM (MW): 9 or 10 kHz

**Note:**

If the radio is in volume control status, press in the tuning/volume control to become Tuning status.

4. Keep on rotating the Tuning control until the required frequency shown on the display.
5. Rotate the volume control to get required sound level.
6. To turn off the radio, press the Power button. Display will show OFF.

## Storing stations in preset memories

There are 5 memory presets for each waveband.

1. Press the Power button to turn on the radio.
2. Tune to required station using one of the methods previously described.
3. Press and hold down the required preset until radio beeps. The preset number will appear in the display and the station will be stored under chosen preset button.
4. Repeat this procedure for the remaining presets.
5. Stations stored in preset memories can be overwritten by following above procedures.

## Recall stations from preset memories

1. Press the power button to turn on the radio.
2. Select the required waveband.
3. Momentarily press the required Preset button, the preset number and station frequency will appear in the display.

## Setting the radio alarm

When the radio alarm is selected, the radio will turn on and play the chosen radio station at the chosen alarm time. The radio alarm will continue for one hour unless turned off by pressing the Power button. Pressing the Power button whilst the alarm is activated will cancel the alarm for 24 hours.

**Note:**

When the radio is in low battery status, the radio alarm can't be activated.

### a. Setting radio alarm time:

1. The radio alarm can be set either when radio is on or off.
2. Press and release radio alarm button (🔔-🔊), the radio alarm symbol will flash.
3. During radio alarm symbol flashing, press (C<sub>SET</sub>) button for more than 2 seconds followed by a beep.
4. Display Hour will flash, rotate Tuning Control to select the hour then press (C<sub>SET</sub>) button again to confirm hour setting.
5. Follow same procedures of setting hour to set required minute. Press (C<sub>SET</sub>) button to complete alarm time setting.

### b. Setting radio alarmed station

1. During setting radio alarm time and radio alarm symbol is flashing, press Band button to activate the radio to select required wake-up band and station by manual tuning and recall the preset stations. Press (🔔-🔊) button to complete radio alarm setting. Display will show (🔔-🔊).
2. When above radio alarm time and station are set, press and hold down radio alarm button (🔔-🔊) for 2 seconds followed by a beep to switch alarm on or off. Display will show (🔔-🔊) when radio alarm is set.

**Note:**

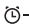


If new radio alarm station is not selected, it will select the last alarm station.

## Setting the HWS (Humane Wake System) buzzer alarm


A beep tone will activate when selecting the HWS buzzer alarm.

The alarm beep will become shorter and shorter every 15 seconds for one minute followed by one minute silence before repeating the cycle.

The HWS alarm will sound for one hour until turning off by pressing the Power button. Press the Power button whilst the alarm is activated will cancel the alarm for 24 hours.


1. The HWS buzzer alarm can be set either radio is on or off.
2. Press and release the HWS buzzer alarm button , the symbol will flash.
3. During the symbol flashes, long pressing the  $C_{SET}$  button for more than 2 seconds followed by a beep and display Hour digit will flash.
4. Rotate Tuning Control to select required alarm hour, then press time set button again. The minute digit will then flash.
5. Rotate Tuning Control to select required alarm minute, the press time set button  $C_{SET}$  again to complete HWS buzzer alarm setting.
6. Press and hold down buzzer alarm button  for more than 2 seconds followed by a beep to switch on or off the HWS buzzer alarm.  
Display will appear  when buzzer alarm has been set.

## Snooze function

1. Whilst the alarm is activated, pressing any buttons except the Power Button will activate the snooze function. The radio or HWS buzzer alarm will be silenced with interval of 5 minutes.
2. The display will flash both the snooze symbol  and the alarm symbol. The snooze function can be repeatedly during one hour that the alarms are active.

## Sleep function

The sleep timer will automatically switched off the radio after a preset time has elapsed.

1. Press and continue to hold down the Power button for more than 2 seconds, followed by a beep tone, the display will cycle through the available sleep times in the order 60-45-30-15-120-90-60.  
Release the Power button when the required sleep time appears in the display. The  symbol will appear in the display and the radio will play the last station selected.
2. To cancel the sleep function, press the Power button. The Symbol will disappear and radio is off.

## Display illumination

Press any buttons or rotate tuning/volume control will illuminate the LCD display for approx. 15 seconds. During scanning stations and alarm activated, will also automatically illuminate the display.

## Setting tuning step

Tuning steps on some countries are different from where you purchase the radio. If you buy the radio in Europe and intend to use in Northern America or some Southern American countries, you may have to adjust tuning step so the radio may continue to serve you well.

While radio is switched off, long pressing Step/Band button for more than 2 seconds will first show current FM tuning step.

Continue pressing Step/Band button for approx. another 5 seconds until display FM and 50 kHz (tuning step) flashing followed by a beep. By rotating the Tuning control, you may adjust to 100 kHz per tuning step.

After FM tuning step is reset, pressing Step/Band button again, display will show AM (MW) and flash 9 kHz. By rotating Tuning control, you may adjust to 10 kHz per tuning step. Complete the setting by pressing Step/Band button.

## Change Stereo to Mono

When the stereo FM station reception is weak, you can improve it by pressing Mono button for 2 seconds. The sound is no longer in stereo and stereo indicator disappears.

## Headphone socket

A 3.5 mm headphone socket located in front of your radio is provided for use with either headphones or an hairpiece. Inserting a plug automatically mutes the internal speaker.

## Specifications:

### Power Requirements

AC power adaptor DC12V 700mA, center pin positive  
 Battery UM-3 (AA size) x 2 for back up  
 Cluster battery: 9.6 - 18V  
 Slide battery: 9.6 - 24 V

Frequency coverage: FM 87.50 - 108 MHz  
 AM520 - 1710 kHz (10 kHz/step)

### Circuit feature

Loudspeaker 3 inches 8 ohm  
 Output Power 9.6V: 0.8 W x 2, 12V: 1.2 W x 2  
 14.4V: 2W x 2, 18V: 3W x 2  
 24V: 5W x 2

Headphone socket 3.5 mm dia.

Antenna system FM: soft bended rod antenna  
 AM: bar antenna

Dimension (W x H x D) in mm:  
 263 x 305 x 166

Weight 4.2kg (without battery)



## FRANÇAIS

# CONSIGNES DE SÉCURITÉ IMPORTANTES

### AVERTISSEMENT :

Lors de l'utilisation des outils électriques, vous devez toujours prendre des précautions élémentaires en matière de sécurité pour réduire les risques d'incendie, de choc électrique et de blessure. Ces précautions comprennent les suivantes :

1. Avant l'utilisation, lisez attentivement le manuel d'instructions de l'outil et celui du chargeur.
2. Ne l'essayez qu'avec un chiffon sec.
3. Évitez de bloquer les orifices de ventilation. Exécutez l'installation en suivant les instructions du fabricant.
4. Ne l'installez pas près d'une source de chaleur telle qu'un radiateur, registre de chaleur, four ou autre appareil (y compris les amplificateurs) générant de la chaleur.
5. Utilisez exclusivement les pièces/accessoires spécifiés par le fabricant.
6. Débranchez cet appareil lors des orages et lorsque vous prévoyez qu'il restera inutilisé pour une période prolongée.
7. Une radio alimentée par les batteries intégrées ou par un bloc-pile séparé doit toujours être rechargée au moyen du chargeur spécifié pour la batterie en question. L'utilisation d'un chargeur conçu pour un type différent de batterie comporte un risque d'incendie.
8. Utilisez uniquement le type de batterie ou de bloc-pile spécifié pour la radio. L'utilisation de tout autre type de batterie comporte un risque d'incendie.
9. Lorsque vous n'utilisez pas le bloc-pile, rangez-le à l'écart des objets métalliques qui risquent d'établir une connexion entre les bornes, comme par exemple des trombones, pièces de monnaie, clés, clous, etc. Il y a risque d'étincelles, de brûlures et d'incendie si les bornes de la batterie sont court-circuitées.
10. Évitez tout contact corporel avec les surfaces mises à la terre, telles que tuyaux, radiateurs, cuisinières et réfrigérateurs. Le risque de choc électrique augmente si votre corps est mis à la terre.

## LISEZ TOUTES LES INSTRUCTIONS.

### Caractéristiques :

- AM/FM-Stéreo
- Ecran lumineux
- Réglage et présélection manuel et automatique
- Réglage du son
- Présélections de 5 radios sur chaque onde
- Horloge et deux alarmes(radio et buzzer)
- Radio réveil
- Haut parleur stereo de haute qualité
- Design dépouillé
- Résistance à l'eau
- Alimentation électrique par électricité ou avec les batteries MAKITA

### Descriptif

#### Contrôles :

1. Mise en marche
2. Sélection des ondes
3. Alarme radio
4. Alarme
5. Présélection de stations
6. Recherche automatique et réglage
7. Réglage du son
8. Entrée électricité
9. Prise pour le casque
10. Antenne
11. Emplacement pour batterie
12. Poignée
13. Haut parleur
14. Casier pour batterie
15. Logement à batterie principale
16. Logement à batterie de secours
17. Partie rouge
18. Bouton
19. Batterie

#### ECRAN LCD:

- A. Alarme radio
- B. Alarme buzzer
- C. Recherche automatique
- D. Onde AM - FM
- E. Niveau de charge des batteries
- F. Présélection des stations
- G. Statut réveil
- H. Fréquence
- I. Volume stéréo
- J. Horloge
- K. Réglage de l'heure
- L: Matin ou soir pour l'horloge

### Installation de la batterie

#### Remarque :

En laissant des batteries de secours dans le logement, vous éviterez la perte des données enregistrées dans les mémoires préréglées.

1. Retirer le casier des batteries pour libérer l'espace pour batteries. Il y a un compartiment pour les batteries principales et un compartiment pour les batteries supplémentaires. (**Fig. 1 et 2**)

- Enlever le couvercle du compartiment des batteries supplémentaires et insérer 2 Batteries UM-3 (Dimension AA). Vérifier que les batteries sont installées en polarité de façon correcte comme indiqué dans le boîtier. Remettre le couvercle.
- Après avoir introduit les batteries supplémentaires. Mettre les batteries principales dans la radio. Liste ci-dessous des batteries compatibles pour cette radio.

#### Batterie batons :

9,6V: 9135 | 9134 | 9122 | PA09 | 9120

12V: 1235 | 1234 | 1222 | PA12 | 1220

14,4V: 1435 | 1434 | 1422 | PA14 | 1420

18V: 1835 | 1834 | 1822 | PA18

#### Batteries à glissière:

9,6V: BH9033 | BH9033A | BH9020 | BH9020A

12V: BH1233 | BH1233C | BH1220C

14,4V: BH1433 | BH1420 | BL1430

18V: BL1830

24V: BH2433 | BH2420

Le tableau suivant indique le temps de fonctionnement avec une seule charge.

Capacité de la batterie	Tension de la batterie					Autonomie* (à volume max.)
	9,6V	12V	14,4V	18V	24V	
1,3 Ah	PA09 9120	PA12 1220	PA14 1420	PA18	-	Environ 7 heures
2,0 Ah	9122 BH9020 BH9020A	1222 BH1220C	1422 BH1420	1822	BH2420	Environ 11 heures
2,6 Ah	9134	1234	1434	1834	-	Environ 13 heures
3,0 Ah	9135	1235	1435 BL1430	1835 BL1830	-	Environ 1 heures
3,3 Ah	BH9033 BH9033A	BH1233 BH1233C	BH1433	-	BH2433	Environ 17 heures

\* L'autonomie peut varier suivant le type de batterie, la charge et les conditions d'utilisation.

### 3-1. Installation ou retrait de la batterie coulissante (Fig. 3)


- Pour insérer la batterie, alignez sa languette sur la rainure qui se trouve à l'intérieur du carter, puis glissez la batterie pour la mettre en place. Insérez-la toujours bien à fond, jusqu'à ce qu'elle se verrouille en émettant un léger clic.
- N'appliquez pas une force excessive lors de l'insertion de la batterie. Si la batterie ne glisse pas aisément, c'est qu'elle n'est pas insérée correctement.
- Pour retirer la batterie, tirez dessus tout en faisant glisser le bouton situé à l'avant de la cartouche ou en appuyant sur les boutons situés des deux côtés de la batterie.

### 3-2. Installation ou retrait du groupe batteries (Fig. 4)

- Pour insérer la batterie, alignez sa languette sur la rainure qui se trouve à l'intérieur du carter, puis glissez la batterie pour la mettre en place.


- N'appliquez pas une force excessive lors de l'insertion de la batterie. Si la batterie ne glisse pas aisément, c'est qu'elle n'est pas insérée correctement.
- Pour enlever la batterie, retirez-la de la radio de chantier.

4. Remettre en place le casier des batteries.

5. Réduction de puissance, distorsion, son nasillard ou que l'indicateur de charge de la batterie  apparaît sur l'écran sont les signes qu'il est nécessaire de changer de batteries.

#### Note :

Le pack batterie ne peut pas être chargé avec l'adaptateur électrique.

6. Quand le témoin de charge de la batterie apparaît  et qu'un "E" flashe, il est temps de changer les batteries.


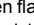
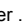
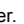
## Installation de l'antenne à tige souple (Fig. 5)

Procédez comme indiqué sur la figure pour installer l'antenne à tige souple.

## Utilisation du cordon d'alimentation électrique (Fig. 6)

Enlever le capuchon en caoutchouc et insérer la prise électrique sur la face de la radio. La prise électrique est standard. Quand on utilise la prise électrique, l'alimentation par les batteries est automatiquement déconnecté. L'alimentation électrique peut être enlevé en cas de non utilisation.

## Réglage de l'heure

- Le réglage de l'heure peut s'effectuer quand la radio marche ou pas..
- A l'écran apparaît "- : -" quand les batteries supplémentaires sont installées.
- Appuyer sur le bouton de réglage de l'heure  plus de deux secondes, sur l'écran apparaît en flash le symbole  et aussi le chiffre des heures suivi d'un bip.
- Utiliser le bouton de réglage pour sélectionner l'heure.
- Presser le bouton  pour confirmer .
- Utiliser le bouton de réglage pour sélectionner les minutes.
- Presser le bouton  pour confirmer.

## Utilisation de la radio

Cette radio est équipée de trois méthodes de recherche – recherche automatique, recherche manuelle , stations présélectionnées.

### Recherche automatique

- Presser le bouton d'alimentation pour la mise en fonction de la radio.
- Sélectionner la bande d'onde en appuyant sur le bouton. assurez vous que l' antenne soit dans la

meilleure position de réception (FM), pour la bande (AM) faite tourner la radio pour obtenir le meilleur signal. Éviter de manipuler la radio à côté d'un écran d'ordinateur ou d'un autre équipement qui pourrait provoquer des interférences sur la radio.

3. Appuyer puis relâcher le bouton de recherche (ne pas appuyer plus de 2 secondes car cela pourrait activer la mise en place du temps.

L'écran va afficher le symbole recherché et la radio recherchera et s'arrêtera automatiquement lorsqu'elle aura trouvé une station de radio. Appuyer sur la touche recherche pour enregistrer la station.

**Note :**

Le symbole Stéréo apparaîtra sur l'écran si la station est en stéréo.

**Note :**

La radio continuera à rechercher les stations tant que vous n'aurez pas appuyé sur le bouton de recherche.

4. Tourner le bouton de réglage du son pour avoir le niveau sonore nécessaire. Sur l'écran vous avez le niveau sonore qui apparaît.

**Note :**

Pour passer du contrôle du volume au contrôle du tuner et vice-versa, appuyez sur le bouton de contrôle Tuning/Volume.

5. Pour éteindre la radio, appuyer sur le bouton de mise en route. L'écran s'éteindra.

## Réglage manuel

1. Appuyer sur le bouton de mise en marche de la radio.
2. Sélectionner la bande d'onde en appuyant sur le bouton de sélection. Régler l'antenne comme indiquée ci-dessus.
3. Une simple rotation du contrôle de recherche modifiera la fréquence :  
FM : 50 ou 100 kHz  
AM (MW) : 9 ou 10 kHz

**Note :**

Si le volume de la radio est pré-réglé, appuyez sur le bouton de réglage pour avoir un nouveau statut.

4. Tourner le bouton de réglage jusqu'à la fréquence requise qui apparaît sur l'écran.
5. Tourner le bouton du réglage du son au niveau souhaité.
6. Pour éteindre la radio, appuyer sur le bouton de mise en route. L'écran s'éteindra.

## Stockage des stations de radio en mémoire présélectionnée.

Il y a 5 mémoires présélectionnées sur chaque bande de fréquence.

1. Appuyer sur le bouton de mise en marche de la radio.
2. Rechercher la station choisie comme décrit ci-dessus.
3. Maintenez le bouton appuyé jusqu'au moment où la radio bip. La station sélectionnée apparaît sur l'écran, et la station sera stockée en mémoire.
4. Répéter l'opération pour les autres présélections.

5. Les stations stockées en mémoire peuvent être écraser en recommençant une nouvelle procédure.

## Rappel des stations de radio en mémoire.

1. Appuyer sur le bouton de mise en marche de la radio.
2. Sélectionner la bande de fréquence souhaitée.
3. Momentanément , appuyer sur le bouton de présélection, le chiffre de la station et la fréquence apparaîtront sur l'écran.

## Réglage de l'alarme radio

Quand l'alarme radio est sélectionnée , la radio se met en marche toute seule à l'heure choisie. L'alarme radio fonctionnera une heure sans à avoir à appuyer sur le bouton arrêt. Appuyer sur le bouton de mise en marche pour pouvoir désactiver l'alarme radio pendant 24 heures.

**Note :**

Quand le niveau de charge des batteries est très bas , l'alarme radio ne pourra pas fonctionner.

### a. Réglage de l'heure de l'alarme radio :

1. L'alarme radio peut être réglé soit en marche ou à l'arrêt.
2. Appuyer puis relâcher le bouton de réglage de l'alarme radio (🔊-🔊), le symbole de l'alarme radio clignotera.
3. Pendant que clignote le symbole de l'alarme radio, appuyer  $C_{SET}$  sur le bouton pendant plus de 2 secondes suivi d'un bip.
4. L'heure à l'écran clignotera, puis appuyer  $C_{SET}$  sur le bouton pour confirmer l'heure choisie.
5. Procéder de la même façon que pour l'heure pour régler les minutes, Appuyer  $C_{SET}$  sur le bouton pour finir le réglage.

### b. Réglage de la station de l'alarme radio

1. Pendant le réglage de l'heure et de l'alarme radio , le symbole apparaîtra à l'écran , appuyer sur le bouton de fréquence pour sélectionner la fréquence et la radio soit manuellement soit au moyen des radios en mémoire ; appuyer (🔊-🔊) sur le bouton pour confirmer les réglages de l'alarme radio. A l'écran apparaîtra ce symbole (🔊-🔊) .
2. Quand l'heure de l'alarme radio et la station sont réglées appuyer et maintenir le bouton de l'alarme radio (🔊-🔊) pendant plus de 2 secondes et qui sera suivi d'un bip ; A l'écran apparaîtra (🔊-🔊) quand l'alarme radio sera réglée.

**Note :**

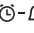



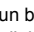
C'est toujours la dernière station radio qui sera choisie.

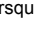
## Réglage du buzzer (Un signal sonore s'active pendant le réglage du buzzer)

Le signal sonore augmente en volume à chaque cycle qui comprend.

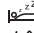
Les bips d'alarme deviennent de plus en plus courts toutes les 15 secondes ; ils sonnent pendant une minute puis s'arrêtent pendant une minute, puis ce cycle recommence.

L'alarme fonctionne pendant 1 heure sauf arrêt de la radio. L'alarme est programmée pour chaque 24 heures.

1. Le buzzer peut se régler si la radio est en marche ou à l'arrêt.
2. Appuyer et relacher le bouton du buzzer  le symbole clignotera.
3. Pendant le clignotement du symbole, appuyer  sur le bouton du symbole pendant plus de 2 secondes suivi d'un bip et le chiffre des heures clignotera.
4. A l'aide du bouton de réglage choisissez l'heure désirée puis appuyer sur encore une fois sur le bouton . Le chiffre des minutes clignotera.
5. A l'aide du bouton de réglage choisissez la minute désirée puis appuyer sur encore une fois sur le bouton  pour terminer le réglage définitivement.
6. Appuyer et maintenir le bouton d'alarme du buzzer  pendant plus de 2 minutes suivi d'un bip pour arrêter ou mettre en marche le réglage de l'alarme du buzzer.

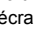
Sur l'écran  apparait ce symbole lorsque l'alarme buzzer est réglée.

## Fonction "Sieste"

1. Quand l'alarme fonctionne, appuyer sur n'importe quel bouton excepté celui de mise en marche l'alarme s'arrêtera. L'alarme radio ou l'alarme buzzer restera silencieux par intervalle de 5 minutes
2. L'écran clignotera avec le symbole "sieste"  et le symbole alarme. La fonction « sieste » peut être active pendant une heure.

## Fonction "Sommeil"

La fonction sommeil arrêtera automatiquement la radio en fonction du temps choisie pour l'arrêt.

1. Appuyer et maintenir la touche de mise en marche de plus de 2 secondes, suivi d'un bip, à l'écran apparaîtra les plages disponibles pour l'arrêt de la radio : 60 – 45 30 – 15 -120 – 90 -60 Relacher le bouton de mise en marche quand le temps sélectionné apparaît sur l'écran. Le  symbole apparaîtra sur l'écran et la radio se mettra en marche sur la dernière sélectionnée.
2. Pour arrêter la radio, il suffit d'appuyer sur le bouton de mise en marche. Le symbole va disparaître ainsi que la radio.

## Eclairage de l'écran

Appuyer sur n'importe quel bouton et l'éclairage de l'écran se fera automatiquement pendant environ 15 secondes. Pendant la recherche de stations ou réglage de l'alarme, l'écran sera automatiquement éclairé.

## Réglage du pas de fréquence

Le pas de fréquence dans certains pays est différent quand vous achetez la radio. Si vous achetez une radio en Europe et que vous voulez l'utiliser en Amérique du Nord ou du Sud, vous pouvez régler le pas de fréquence pour pouvoir l'utiliser correctement.

Malgré que la radio soit éteinte, appuyer sur le bouton de recherche du pas de fréquence pendant plus de 2 secondes pour trouver le premier pas de fréquence FM. Continuer d'appuyer sur le bouton de recherche du pas de fréquence pendant environ 5 autres secondes jusqu'à ce qu'apparaît sur l'écran clignotant FM et 50Hz suivi d'un bip ; En tournant le bouton de recherche, vous pouvez ajuster jusqu'à 100 Hz le pas de fréquence. Après le réglage du pas de fréquence de la bande FM, appuyer sur le bouton de recherche du pas de fréquence, sur l'écran clignotant apparaîtra AM et 9Hz. En tournant le bouton de réglage vous pouvez régler le pas jusqu'à 10Hz. Terminer la recherche en appuyant sur le bouton de recherche du pas de fréquence.

## Changement de stéréo en mono

Quand la réception de la stéréo est faible (FM), vous pouvez améliorer la réception en appuyant sur la touche Mono pendant 2 secondes. Le son n'est plus en stéréo et l'indicateur Stéréo disparaît.

## Prise pour écouteurs

Une prise d'écouteurs est située sur la face avant de la radio et permet de brancher n'importe quel casque. En insérant la prise dans la douille, le haut-parleur s'arrêtera automatiquement

## Caractéristiques :

Puissance nécessaire :

AC Adaptateur DC12V 700mA, center pin positive

Batterie UM-3 (AA size) x 2 for back up  
Batterie baton: 9,6 – 18V

Batterie à glissière: 9,6 – 24 V

Fréquence : FM 87,50 – 108 MHz

AM 520 – 1710 kHz (10 kHz/step)

Caractéristiques du circuit

Haut parleur 3 inches 8 ohm

Puissance des batteries :

9,6V : 0,8 W x 2, 12V : 1,2 W x 2

14,4V : 2W x 2, 18V : 3W x 2

24V : 5W x 2

Douille écouteur 3,5 mm dia.

Antenne : FM : antenne courbe

AM : antenne droite

Dimension (W x H x D) in mm :

263 x 305 x 166

Poids

4,2 kg sans batterie

## IMPORTANTE: INSTRUCCIONES DE SEGURIDAD

### AVISO:

Para disminuir el riesgo de incendio y de sufrir descargas eléctricas o lesiones al utilizar aparatos eléctricos, deben tomarse unas precauciones básicas de seguridad, entre las que figuran las siguientes:

1. Lea atentamente antes de usarlo, este manual de instrucciones y el del cargador.
2. Limpie el aparato únicamente con un trapo seco.
3. Mantenga libres los orificios de ventilación. Instale el aparato de acuerdo con las instrucciones del fabricante.
4. No instale el aparato cerca de fuentes de calor como radiadores, salidas de aire caliente, cocinas u otros aparatos, como amplificadores, que irradian calor.
5. Utilice sólo los empalmes y accesorios especificados por el fabricante.
6. Desenchufe el aparato si se desencadenan tormentas eléctricas, o cuando no se vaya a utilizar durante periodos de tiempo prolongados.
7. Un aparato de radio alimentado mediante pilas integradas o pilas independientes debe recargarse únicamente con el cargador especificado para las pilas. Un cargador puede ser adecuado para un tipo de pilas y hay riesgo de incendio si se utiliza para otra pila.
8. Un aparato de radio alimentado por pilas debe utilizarse sólo con las pilas especificadas. Si se utiliza otro tipo de pilas hay riesgo de incendio.
9. Cuando no se usan, las pilas deben mantenerse alejadas de objetos metálicos, como clips, monedas, llaves, clavos, tornillos o cualquier otro objeto metálico pequeño que podría establecer contacto entre los dos polos de la pila. Cortocircuitar la pila puede provocar chispas, quemaduras o un incendio.
10. Evite el contacto del cuerpo con superficies conectadas a tierra como tuberías, radiadores, fogones y refrigeradores; si su cuerpo está conectado a tierra, el riesgo de sufrir una descarga eléctrica es mayor.

## GUARDE ESTAS INSTRUCCIONES

### Características:

- AM/FM-estéreo PLL Sintetizado
- Gran panel LCD luminoso
- Sintonización manual/preselección/escaneado
- Control rotativo de sintonía y de volumen
- 5 emisoras preseleccionadas en cada onda
- Hora y 2 alarmas (radio y zumbador HWS) con repetición
- Temporizador para dormir sin desconectarlo (desconexión automática)

- Altavoz estéreo con un excelente rendimiento de sonido
- Diseño extra resistente
- Resistente al agua (norma JIS 4)
- Alimentación por pilas o mediante el adaptador de alimentación de corriente alterna incluido

## Descripción general

### Controles:

1. Botón de conexión y temporizador nocturno.
2. Onda/Selección de sintonía e intervalos de sintonía, y botón Mono
3. Ajuste de la alarma de radio
4. Ajuste de la alarma por zumbador
5. Emisoras preseleccionadas
6. Escaneo de sintonías y ajuste de hora
7. Controles de volumen y de sintonía
8. Enchufe para conexión a la red
9. Enchufe para el auricular
10. Antena de varilla flexible
11. Compartimento para las pilas (incluye las pilas principales y las de relevo)
12. Asa
13. Altavoz
14. Cierre del compartimento para las pilas
15. Compartimiento pilas principales
16. Compartimiento pilas de relevo
17. Parte roja
18. Botón
19. Cartucho de la batería

### Panel indicador LCD:

- A. Alarma de radio
- B. Alarma de zumbador HWS
- C. Escaneo de sintonía
- D. Indicador de onda
- E. Indicador de pila baja
- F. Emisoras preseleccionadas
- G. Estado de la desconexión nocturna y de la repetición de la alarma
- H. Frecuencia
- I. Volumen y símbolo de recepción en estéreo
- J. Reloj
- K. Ajuste de hora
- L. Formato PM para el reloj

## Instalación de las pilas

### Nota:

mantener baterías de respaldo en el compartimento evita que se pierdan los datos de las memorias predefinidas.

1. Estire hacia fuera el cierre del compartimento de pilas para acceder al mismo; está dividido en dos partes, el de las pilas principales y el de las pilas de relevo. **(Fig. 1 & 2)**
2. Quite la tapa del compartimento de las pilas de relevo e introduzca dos pilas nuevas UM-3 (tamaño AA). Asegúrese de colocarlas con la polaridad correctamente orientada tal como se indica en el

interior del compartimiento. Vuelva a colocar la tapa de las pilas.

- Después de introducir las pilas de relevo, haga lo mismo con la batería de pilas destinadas a alimentar el aparato de radio. Las baterías de pilas que pueden utilizarse para este aparato son las que se indican en la lista siguiente:

#### Baterías de pilas:

9,6V: 9135 | 9134 | 9122 | PA09 | 9120

12V: 1235 | 1234 | 1222 | PA12 | 1220

14,4V: 1435 | 1434 | 1422 | PA14 | 1420

18V: 1835 | 1834 | 1822 | PA18

#### Pilas:

9,6V: BH9033 | BH9033A | BH9020 | BH9020A

12V: BH1233 | BH1233C | BH1220C

14,4V: BH1433 | BH1420 | BL1430

18V: BL1830

24V: BH2433 | BH2420

En la siguiente tabla se indica el tiempo de funcionamiento de una sola carga.

Capacidad de la pila	Tensión del paquete de pilas					Tiempo de funcionamiento* (a volumen máx.)
	9.6V	12V	14.4V	18V	24V	
1.3Ah	PA09 9120	PA12 1220	PA14 1420	PA18	-	Aprox. 7 horas
2.0Ah	9122 BH9020 BH9020A	1222 BH1220C	1422 BH1420	1822	BH2420	Aprox. 11 horas
2.6Ah	9134	1234	1434	1834	-	Aprox. 13 horas
3.0Ah	9135	1235	1435 BL1430	1835 BL1830	-	Aprox. 16 horas
3.3Ah	BH9033 BH9033A	BH1233 BH1233C	BH1433	-	BH2433	Aprox. 17 horas

\* El tiempo de funcionamiento puede variar según el tipo de pila o las condiciones de carga o funcionamiento.

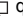
### 3-1. Instrucciones para introducir o quitar el cartucho de pilas (Fig.3)

- Para insertar el cartucho de pilas debe alinearse la lengüeta del cartucho con la ranura del alojamiento y deslizarlo hasta su posición. Introdúzcalo hasta el final y compruebe, al oír un ligero clic, que queda fijo.
- No fuerce la introducción del cartucho de pilas; si no se desliza con facilidad, verifique si lo ha insertado correctamente.
- Para quitar el cartucho, retirelo de su alojamiento deslizando el botón situado en su parte delantera o apretando los botones situados en ambos lados del cartucho.

### 3-2. Instrucciones para introducir o quitar la batería de pilas (Fig.4)

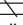
- Para insertar la batería de pilas debe alinearse la lengüeta del cartucho con la ranura del alojamiento y deslizarlo hasta su posición.

- No fuerce la introducción del cartucho de pilas; si no se desliza con facilidad, verifique si lo ha insertado correctamente.
- Para quitar el cartucho, retirelo del aparato de radio Job.

- Vuelva a colocar el cierre del compartimiento de pilas.
- La disminución de potencia, la distorsión y una especie de tartamudeo o la señal de pila baja  que aparece en el indicador luminoso, indican que es necesario sustituir la pila principal.

#### Nota:

la batería de pilas no puede cargarse con el adaptador de alimentación de corriente alterna suministrado con el aparato.

- Cuando aparecen la señal de pila baja  y una E parpadeando es necesario sustituir las pilas de relevo.


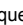
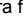
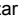
### Instalación de la antena de varilla flexible (Fig.5)

Instale la antena tal como se indica en la figura.

### Utilización del adaptador para corriente AC incluido (Fig.6)

Quite el protector de goma y conecte el enchufe del adaptador en el conector de DC situada en la parte delantera del aparato de radio. Enchufe el adaptador a la red de alimentación. Cuando se utiliza el adaptador, la batería de pilas se desconecta automáticamente. El adaptador debe desconectarse de la red de alimentación cuando no se utiliza.

### Ajuste del reloj

- El reloj puede ajustarse con la radio encendida o apagada.
- Al instalar las pilas de relevo en el indicador luminoso se visualizará la señal "- : -".
- Pulsando el botón de ajuste de la hora  durante más de 2 segundos, en el indicador luminoso parpadearán el símbolo de ajuste de la hora  y los dígitos correspondientes a horas, y se oír un bip.
- Haga girar el control de sintonía hasta que aparezca el dígito de la hora que quiere fijar.
- Pulse el botón  para confirmar la hora fijada y empezarán a parpadear los dígitos correspondientes a los minutos.
- Haga girar el control de sintonía hasta que aparezcan los dígitos de los minutos que quiere fijar.
- Pulse de nuevo el botón  para finalizar el ajuste de la hora.

### Funcionamiento del aparato de radio

Este aparato de radio dispone de tres sistemas de sintonía: escaneo, manual y emisoras preseleccionadas.

## Sintonía por escaneo

1. Para conectar la radio pulse el botón de conexión.
2. Mediante el selector de ondas seleccione la longitud de onda requerida. Para disfrutar de una mejor recepción en FM asegúrese de que la antena está bien colocada; para AM, mueva la radio hasta que obtenga la señal más clara. Evite colocar la radio en las proximidades de la pantalla de un ordenador o de cualquier otro equipo que pueda producir interferencias con el aparato de radio.
3. Pulse brevemente el botón de escaneo (si lo pulsa durante más de 2 segundos activará el ajuste de hora); en el indicador LCD parpadeará el símbolo de escaneo y el aparato empezará a buscar emisoras, deteniéndose cuando encuentre una. Pulse de nuevo el botón de escaneo para fijar la emisora encontrada.

### Nota:

si la emisora encontrada emite en sonido estereofónico, en el indicador aparecerá el símbolo estéreo.

### Nota:

Si cuando encuentra una emisora no pulsa el botón de escaneo, el aparato seguirá buscando nuevas emisoras.

4. Haga girar el control de volumen hasta que alcance el nivel deseado. El indicador LCD mostrará las variaciones del nivel de sonido.

### Nota:

Si pulsa el botón de mando de Sintonía/Volumen puede cambiar su función de control de volumen a control de sintonía.

5. Para desconectar la radio pulse el botón de conexión. En el indicador aparecerá OFF.

## Sintonía manual

1. Para conectar la radio pulse el botón de conexión.
2. Mediante el selector de ondas seleccione la longitud de onda requerida. Ajuste la antena tal como se ha explicado más arriba.
3. Un giro completo del control de sintonía cambiará la frecuencia en los incrementos siguientes:  
FM: 50 ó 100 kHz  
AM (MW): 9 ó 10 kHz

### Nota:

Si el mando de Volumen/Sintonía está en posición de volumen, pulsándolo se cambiará a control de sintonía.

4. Siga haciendo girar el control de Sintonía hasta que en el indicador aparezca la frecuencia buscada.
5. Haga girar el control de volumen hasta que alcance el nivel deseado.
6. Para desconectar la radio pulse el botón de conexión. En el indicador aparecerá OFF.

## Almacenamiento de emisoras en memorias preseleccionadas

En cada onda se pueden preseleccionar cinco emisoras.

1. Para conectar la radio pulse el botón de conexión.

2. Mediante alguno de los métodos descritos anteriormente sintonice la emisora que quiere preseleccionar.
3. Pulse, y mantenga pulsado hasta que oiga un bip, el botón de preselección al que quiere adjudicar dicha emisora. El número del correspondiente botón aparecerá en el panel indicador y la emisora quedará asignada a este botón.
4. Repita el mismo proceso para el resto de emisoras que quiera preseleccionar.
5. Las emisoras asignadas en la preselección pueden sustituirse por otras siguiendo este mismo procedimiento.

## Sintonización de una emisora a partir de las memorias preseleccionadas

1. Para conectar la radio pulse el botón de conexión.
2. Seleccione la onda correspondiente.
3. Pulse brevemente el botón correspondiente a la emisora que quiere sintonizar y en el indicador aparecerán tanto el número de la memoria preseleccionada como la frecuencia de la emisora.

## Ajuste de la alarma

Si la alarma está activada, el aparato de radio se conectará a la hora fijada y emitirá la emisora elegida. Si no se desconecta pulsando el botón de conexión, el aparato continuará en funcionamiento durante una hora. Si, por el contrario, se pulsa el botón de conexión mientras la alarma está activa, se anulará la alarma durante 24 horas.

### Nota:

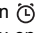
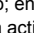
cuando la carga de la pila es baja no puede activarse la alarma.

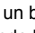
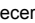
## a. Ajuste de la hora de funcionamiento de la alarma:

1. El ajuste puede hacerse con el aparato conectado o desconectado.
2. Pulse y suelte el botón de ajuste de la alarma de radio (☺-☹☺); el símbolo de alarma de radio parpadeará.
3. Mientras dicho símbolo parpadea, pulse y mantenga pulsado durante más de 2 segundos, hasta que oiga un bip, el botón  $C_{SET}$ .
4. Empezará a parpadear el indicador de horas. Haga girar el control de sintonía para seleccionar la hora y, a continuación, pulse de nuevo el botón  $C_{SET}$  para confirmar la hora seleccionada.
5. Para seleccionar los minutos siga el mismo procedimiento. Pulse el botón  $C_{SET}$  para finalizar el ajuste de la hora de funcionamiento de la alarma.

## b. Ajuste de la emisora asignada a la alarma

1. Mientras parpadea el símbolo de alarma de radio, durante el proceso de seleccionar la hora de funcionamiento de la alarma, pulse el botón de ondas para activar la radio y seleccionar la emisora que se quiere asignar a la alarma; esta selección puede

hacerse mediante sintonización manual o con los botones de emisoras preseleccionadas. Pulse el botón  para finalizar el ajuste de la alarma de radio; en el indicador aparecerá el símbolo .

2. Para activar o desactivar la alarma, una vez completado el proceso de selección de la hora de funcionamiento y de la emisora asignada, pulse y mantenga pulsado durante 2 segundos, hasta que oiga un bip, el botón de alarma de radio . Cuando la alarma esté activada, en el panel indicador aparecerá el símbolo .

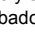
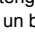
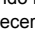
#### Nota:

si no se cambia la emisora asignada a la alarma, el aparato utilizará la última emisora que se asignó.

## Ajuste de la alarma por zumbador HWS (siglas en inglés de Humane Wake System)


Si se selecciona la alarma por zumbador HWS, al activarse la alarma sonará un bip.

El pitido de la alarma será cada vez más corto cada 15 segundos durante un minuto; transcurrido ese tiempo, habrá un minuto de silencio y se volverá a repetir el ciclo. Si no se desconecta pulsando el botón de conexión, la alarma continuará en funcionamiento durante una hora. Si, por el contrario, se pulsa el botón de conexión mientras la alarma está activa, se anulará la alarma durante 24 horas.

1. El ajuste de la alarma por zumbador HWS puede hacerse con el aparato conectado o desconectado.
2. Pulse y suelte el botón de ajuste de la alarma por zumbador HWS de radio ; el símbolo de alarma por zumbador parpadeará.
3. Mientras dicho símbolo parpadea, pulse y manténgalo pulsado durante más de 2 segundos, hasta que oiga un bip, el botón  $C_{SET}$ . Empezará a parpadear el indicador de horas.
4. Haga girar el control de sintonía para seleccionar la hora de la alarma y, a continuación, pulse de nuevo el botón  $C_{SET}$  para confirmar la hora seleccionada. Empezarán a parpadear los dígitos de los minutos.
5. Haga girar el control de sintonía para seleccionar los minutos de la alarma y, a continuación, pulse de nuevo el botón  $C_{SET}$  para finalizar el ajuste de la alarma por zumbador HWS.
6. Para activar o desactivar la alarma pulse y manténgalo pulsado durante 2 segundos, hasta que oiga un bip, el botón de alarma por zumbador . Cuando la alarma esté activada en el panel indicador aparecerá el símbolo .

## Función de repetición

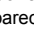
1. Si pulsa cualquier botón, excepto el de conexión, mientras la alarma está en funcionamiento, se activará la función repetición. La radio o el zumbador HWS se mantendrán en silencio a intervalos de 5 minutos.

2. En el indicador parpadearán los símbolos de repetición  de alarma. La función de repetición se mantiene activa durante todo el periodo de funcionamiento de la alarma (1 hora).

## Desconexión nocturna

Un temporizador desconectará la radio automáticamente una vez transcurrido el tiempo preseleccionado.

1. Pulse y mantenga pulsado durante más de 2 segundos, hasta que oiga un bip, el botón de conexión; en el panel indicador aparecerán sucesivamente los diferentes tiempos de desconexión disponibles, en minutos, en el orden siguiente: 60-45-30-15-120-90-60.

Deje de pulsar el botón de conexión cuando aparezca en el indicador el tiempo que desea seleccionar. En el indicador aparecerá el símbolo , y la radio emitirá la última sintonía seleccionada.

2. Para anular la función de desconexión nocturna pulse el botón de conexión; el símbolo correspondiente desaparecerá del indicador y se desconectará la radio.

## Iluminación del panel indicador

Para encender la iluminación del panel indicador LCD, durante 15 segundos aproximadamente, pulse cualquier botón o haga girar el control de Sintonía/Volumen. La iluminación del indicador se enciende automáticamente durante el escaneo de emisoras y al activarse la alarma.

## Ajuste del intervalo de sintonía

Los intervalos de sintonía del país donde ha comprado el aparato pueden no coincidir con los de otros países. Si ha comprado la radio, por ejemplo, en Europa, y quiere utilizarla en América del Norte o en algunos países de América del Sur, puede ser necesario ajustar los intervalos de sintonía para seguir utilizando el aparato en buenas condiciones.

Si cuando la radio está desconectada pulsa y mantiene pulsado durante más de 2 segundos el botón de Onda/Intervalos de sintonía, aparecerá en primer lugar el intervalo de sintonía actual de FM.

Continúe pulsando este botón durante aproximadamente 5 segundos más hasta que aparezca FM y, parpadeando, 50 kHz (intervalo de sintonía), y oiga un bip. Haciendo girar el control de sintonía se puede ajustar el intervalo de sintonía a 100 kHz.

Una vez ajustado el intervalo de sintonía de FM, pulse de nuevo el botón de Onda/Intervalos de sintonía; en el panel indicador aparecerá AM (MW) y, parpadeando, 9 kHz. Haciendo girar el control de sintonía se puede ajustar el intervalo de sintonía a 10 kHz. Para finalizar el ajuste pulse el botón de Onda/Intervalos de sintonía.

## Cambiar el sonido de Estéreo a Mono

Cuando la recepción de una emisora de FM en estéreo es débil, se puede mejorar la calidad de recepción pulsando



el botón Mono durante 2 segundos. El sonido ya no es estereofónico y, en el panel, desaparecerá el símbolo estéreo.

## Conexión de los auriculares

El aparato de radio dispone de una conexión de 3,5 mm para auriculares o para un "pinganillo", situada en la parte delantera. Al conectar la clavija deja de oírse automáticamente el altavoz del aparato.

## Especificaciones:

Características de la alimentación

Adaptador de alimentación AC

DC12V 700 mA , clavija central macho

Pilas UM-3 (tamaño AA) x 2, para relevo

Batería de pilas: 9,6 – 18 V

Pilas: 9,6 – 24 V

Cobertura de frecuencias:

FM: 87,50 – 108 MHz

AM: 520 – 1710 kHz (intervalos de 10 kHz)

Características del circuito

Altavoz 3 pulgadas, 8 ohmios

Potencia de salida 9,6 V: 0,8 W x 2, 12 V: 1,2 W x 2  
14,4 V: 2W x 2, 18 V: 3 W x 2  
24 V: 5 W x 2

Conexión de auriculares 3,5 mm diámetro

Sistema de antena FM: antena flexible

AM: antena de varilla

Medidas (A x H x L) en mm:

263 x 305 x 166

Peso 4,2 kg (sin pilas)





Makita Corporation  
Anjo, Aichi, Japan